

30753-2001
(3419 -81)

2D (R « DN)



30753-2001

1 « »

2
(20 1 2001 .)

:

	« »

3 3419—81 « »

4 27 2002 . 205- 30753—2001 (3419—81)
1 2003 .

5

6 . 2009 .

© , 2002
© , 2010

2D ($R = DN$)

Carbon and low-alloy steel butt-weldings fittings. Sharply curved bends type 2D ($R \sim DN$). Design

2003—01—01

1

2D $R \sim DN$ $\theta = 45^\circ, \theta = 60^\circ, \theta = 90^\circ, \theta = 180^\circ,$
4.1 — 5 1 17380.

2

17380—2001 (3419—81)

3

17380.

4

4.1
1 2.

1

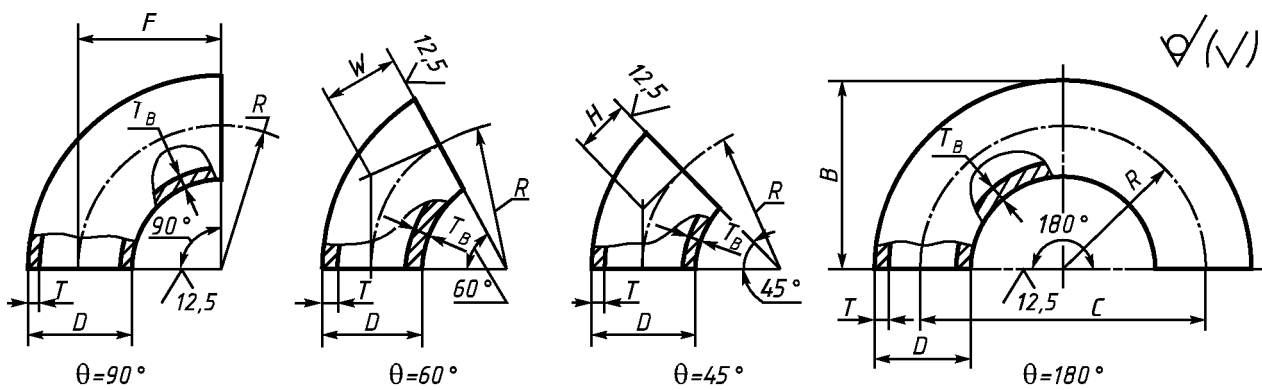


Рисунок 1

30753-2001

1—

1

DN	<i>D</i>		<i>F</i>				$0 = 90^\circ,$
50	60,3	4,0 5,6	51	102	81		0,44 0,60
65	76,1	5,0 7	63	127	102		0,87 1,20
80	88,9	5,6 8,0	76	152	121		1,40 1,90
100	114,3	6,3 8,8	102	203	159		2,60 3,60
125	139,7	6,3 10,0	127	254	197		4,10 6,40
150	168,3	7 11,0	152	305	237		6,70 10,00
200	219,1	8,0 12,5	203	406	313		13,00 20,00
250	273,0	10,0	254	508	391		26,00
300	323,9	10,0	305	610	467		37,00
350	355,6	11,0	356	711	533		52,00
400	406,4	12,5	406	813	610		77,00
450	457,0	—	457	914	686		—
500	508,0	—	508	1016	762		—
600	610,0	—	610	1220	914		—
1 2		$0 = 45^\circ$ $0 = 60^\circ$	1				

2—

2

DN	<i>D</i>		<i>F = R</i>	<i>W</i>				$0 = 90^\circ,$
50	57	4 5 6	50	29	21	100	79	0,4 0,5 0,6
65	76	5 6 7	65	37	27	130	103	0,9 1 1,2
80	89	5 6 7 8	80	46	33	160	125	1,3 1,6 1,8 2,1

DN	<i>D</i>		<i>F=R</i>	<i>W</i>				$\delta = 90^\circ$,
100	102	5 6 8 10	100	58	41	200	151	1,9 2,3 3,0 3,7
	108	5 6 8 10					154	2 2,4 3,9
	114	5 6 8 10				203	159	2,2 2,5 3,3 4,1
125	133	5 6 8 10 12	125	72	52	250	192	3,0 3,6 4,9 6,1 7,3
150	159	5 6 8 10 12 14	150	87	62	300	230	4,5 5,4 7,1 8,7 11,0 12,0
	168	5 6 8 10 12 14					234	4,7 5,6 7,5 9,4 11,0 13,0
200	219	7 8 10 12 16 18	200	115	83	400	310	12,0 13,0 16,0 19,0 25,0 29,0
250	273	9 10 12 16 18 20 22 24	250	158	103	500	387	24,0 26,0 31,0 42,0 47,0 52,0 57,0 60,0
300	325	9 10 12 14 16	300	173	124	600	463	34,0 37,0 45,0 52,0 59,0

30753-2001

DN	D		F=R	W				8 = 90°,
300	325	18 20 22 24 26 28	300	173	124	600	463	67,0 74,0 81,0 89,0 96,0 102,0
350	377	10 12 16 18 20 24 26 30	350	202	145	700	539	47,0 57,0 76,0 85,0 94,0 113,0 122,0 141,0
400	426	10 12 16 18 22 24 26 28 32 34 36	400	231	166	800	613	64,0 77,0 103,0 116,0 142,0 155,0 167,0 180,0 206,0 219,0 130,0
500	530	9 10 12 14 16 18 20 22 24 26 28 30 32 34 36	500	289	207	1000	765	92,0 102,0 122,0 143,0 161,0 184,0 204,0 223,0 243,0 262,0 282,0 300,0 320,0 340,0 365,0
600	630	9 10 12 14 16 18 20 22 24 26 28 30	600	346	248	1200	915	131,0 146,0 174,0 200,0 230,0 261,0 290,0 319,0 346,0 371,0 400,0 428,0

DN	D		F=R	W				0 = 90°
600	630	32 34 36	600	346	248	1200	915	460,0 489,0 518,0
700	720	9 10 12 14 16 18 20 22 24 26 28 30 32 34 36	700	405	283	1400	1060	174,0 193,0 230,0 268,0 306,0 343,0 380,0 416,0 453,0 489,0 525,0 561,0 596,0 632,0 667,0
800	820	9 10 12 14 16 18 20 22 24 26 28 30 32 34 36	800	462	324	1600	1220	226,0 251,0 301,0 350,0 399,0 447,0 496,0 544,0 592,0 640,0 687,0 734,0 781,0 828,0 874,0
1	2		0 = 60° 0 = 45°		1,5 2			0 = 180° 2

- 8 = 90°, 1, D = 168,3 , = 11,0 TS4: 90-1-168,3 11-TS4 30753-2001
 - 9 = 45°, 2, D = 219 , = 8,0 , = 10 20: 45-219 8/10 30753-2001
 - 9 = 90°, 2, D = 89 , = 5,0 09 2 : 90-89 5-09 2 30753-2001
 , , :
 90-89 5-09 2 30753-2001
 4.2. () -
 2 0.

30753-2001

4.3

2

-

5

— 17380.

621.643.4:006.354

23.040.40

18

14 6800

: , , , ,